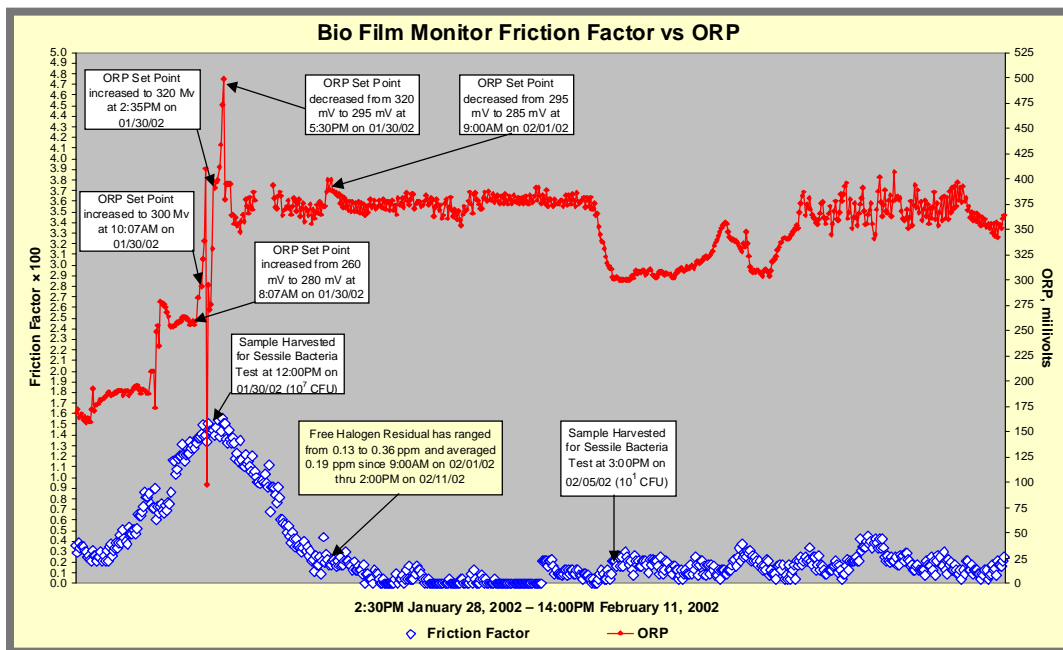
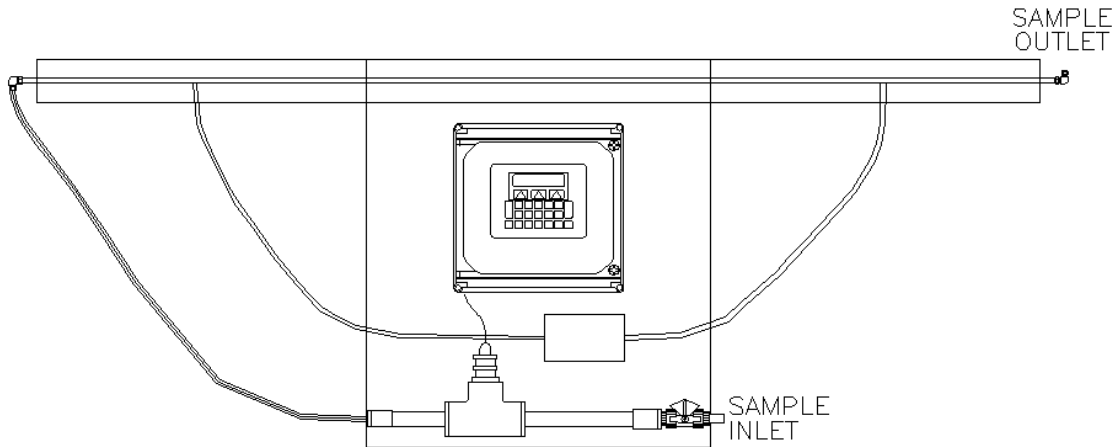




BIOFOULING MONITOR



The **Design Controls Biofouling Monitor** is an inexpensive tool for detecting traces of biological fouling. The biofouling data can be used to determine if the proper amounts of biocides are being dispersed into processing or cooling tower water.

The **Biofouling Monitor** can be used in a standalone environment or can transfer data via a 4-20mA signal to a Chemical Feed System such as the **Design Controls DCS-200**. The unit reads in Friction Factor and Flow or ORP and requires 120VAC, 60HZ, 9 amps and has 1/2" pipe connections for the sample line.